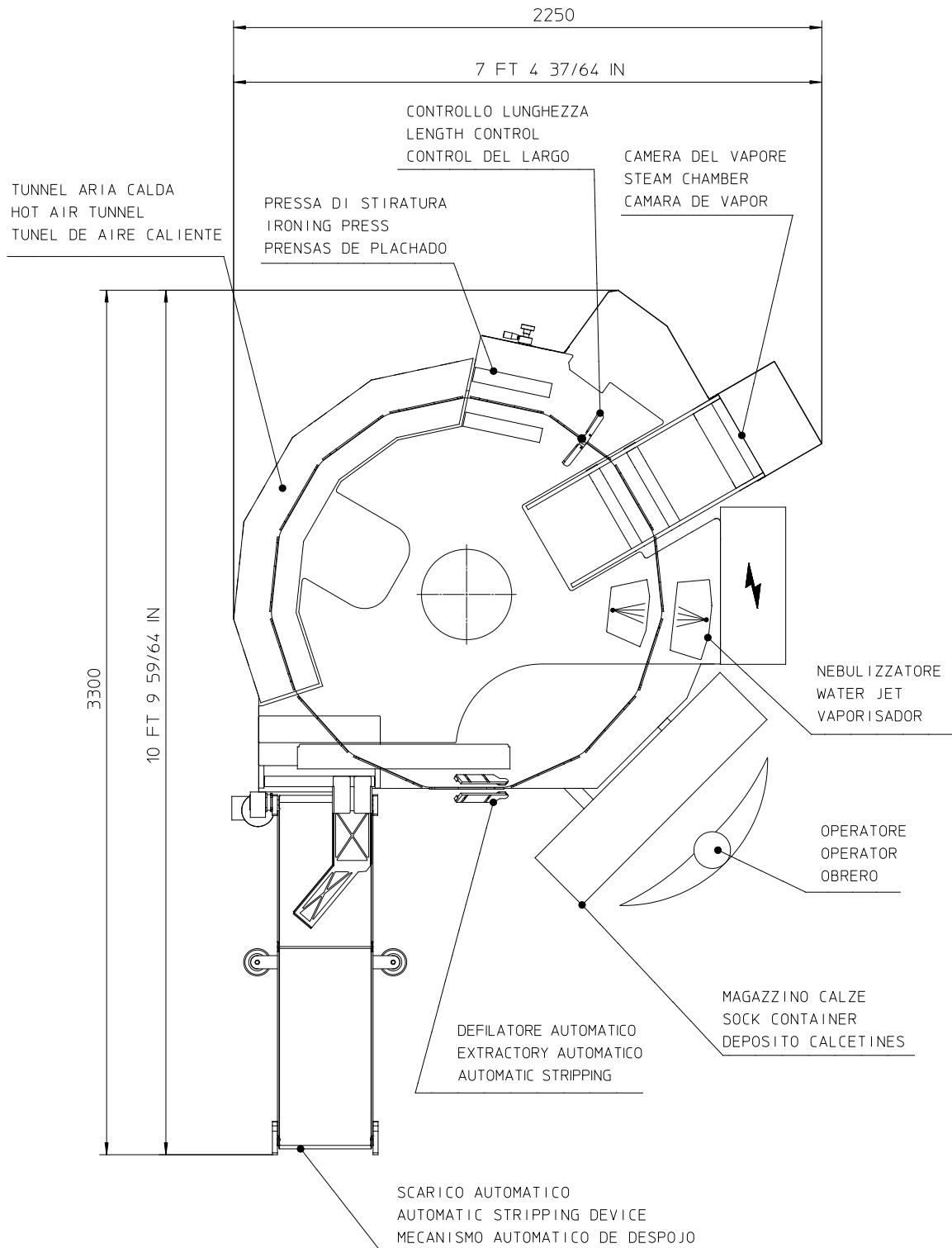


SCIROCCO SC3 L



SCIROCCO SC3 L H=2800 mm - 9 FT 2 15/64 IN

SCIROCCO SC3 L TECHNICAL DATA

		SC3L
Net weight	Kg	1750
Operators	N°	1
Boarding forms	N°	15
Max Cycle	sec	3,5
Max Production	p/h	500
Air Pressure	bar/atm	6
Max air pressure	mc/h	20
Min water pressure	bar/atm	3
Max water consumption	l/h	21
Steam max pressure	bar/atm	3
Steam max consumption	Kg/h	15
Installed power	Kw	16
Voltage	Volt	400
Press Max temperature	°C	250
Tunnel Max temperature	°C	180
Dimensions	mm	2250 x 3300 x 2800

TECNOPEA s.r.l. Via Don Eridano Torri, 2 – 25027 Quinzano D'Oglio BRESCIA ITALIA

P.IVA: 01595230986 - Tel. +39 030 9923780 Fax. +39 030 9923996 E-mail:

info@tecnopea.it

TECNOPEA s.r.l. has the right to modify at any time and without notice the features of the machines shown on this site.